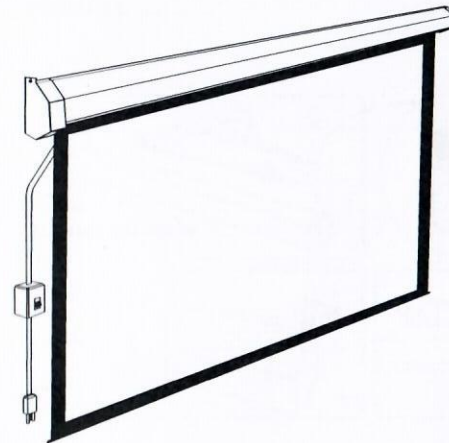


# Grandview®

## Instruction Manual for Elegant Series Motorized Screen



Model: EL-Mxx

Thank you for purchasing a Grandview projection screen.

Before use, please read instructions carefully. After installation, store instructions for future reference.

Grandview®

### Grandview Crystal Screen Canada Ltd.

#11- 3751 North Fraser Way,  
Marine Way Business Centre,  
Burnaby, BC, Canada V5J 5G4  
Tel: 1-604-412-9777 Fax: 1-604-412-9796  
Website: [www.grandviewscreen.ca](http://www.grandviewscreen.ca)

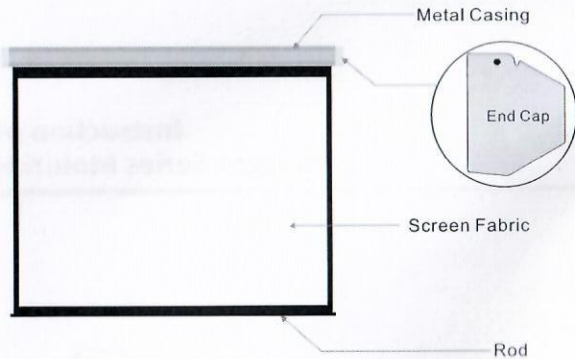
### Guangzhou Grandview Crystal Screen Co., Ltd.

No 43, Guomao Road South, Hualong Town,  
Panyu District, Guangzhou City, China  
Tel: +8620-8489-9499 Fax: +8620-8480-3343  
Website: [www.grandviewscreen.com](http://www.grandviewscreen.com)  
[www.grandviewscreen.com.cn](http://www.grandviewscreen.com.cn)



GRANDVIEW®

## Description



## Accessories

■  $\phi 5$  Allen Key(1pc)



■ Instruction Manual(1pc)

## Elegant Motorized Screen Power Specifications

Voltage (V)	Frequency (Hz)	Watts (W)	Application
230V/120V/100V	50Hz/60Hz	160W/156W	Applies to 180" and up Elegant series

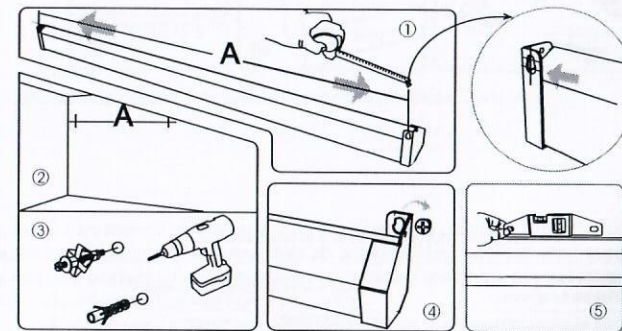
## Installation

This projection screen should be installed at the best possible viewing position for the audience. Take out all the parts from the packaging and follow the accessories guideline to ensure you have all parts. The parts needed will vary depending on which installation you choose to use. For installation on a wood wall or ceiling, use the  $\phi 5 \times 40$  screws. For installation on a drywall, use the  $\phi 10 \times 30$  screws with anchors.

### Installation without bracket

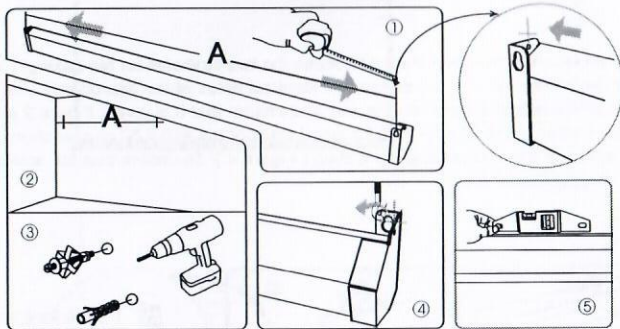
#### Wall Mount

Using a tape measure, measure the distance between the two keyholes on the casing( Figure 1 ). According to the measurement, use the drill to drill identical holes of the appropriate size ( use a smaller drill bit than the actual screws) on the wall and ensure that it is level ( Figure 2 and 3 ). Screw in the appropriate screws, either the  $\phi 5 \times 40$  for wood walls or the  $\phi 10 \times 30$  plus anchors for drywalls, leaving enough space at the end to hang the casing ( Figure 4 ). To ensure that the screen is level, use a leveler to check ( Figure 5 ).

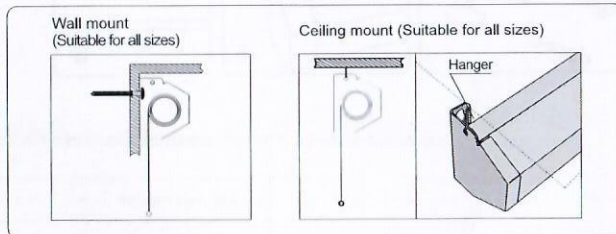


## Ceiling Mount

Using a tape measure, measure the distance between the two rings for hanging on the casing ( Figure 1 ). According to the measurement, use the drill to drill identical holes of the appropriate size ( use a smaller drill bit than the actual hook screws ) on the ceiling and ensure that it is level ( Figure 2 and 3 ). Screw in the hook screws ( not provided ), and lift the screen into the hooks screws to hang ( Figure 4 ). To ensure that the screen is level, use a leveler to check ( Figure 5 ).



## Without mounting bracket installation

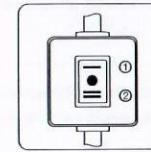


## Instructions

Grandview projection screens are controlled by a manual switch or an automatic remote control.

### 1. Manual switch control

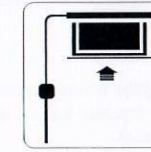
- Tear off the glue cloth fixed on the bottom rod, ensure the bottom rod is not stuck by the casing.
- Connect to a power source (Please make sure it is the right voltage)
- Turn the switch to position 2 to lower the screen; it will come down slowly. When it is all the way down, it will stop automatically.
- Turn the switch to position 1 to retract the screen; it will go up into the metal casing. When it is all the way up, it will stop automatically.
- To stop any time while the screen is in motion, turn the switch to 0.



Picture 1



Picture 2

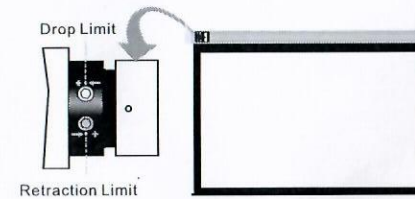


Picture 3

### 2. Automatic remote control (Please see section on Remote Control)

#### Attention:

- > Please make sure there is no dust or dirt on the fabric surface before rolling it back to the casing
- > The recommended working time is less than 50 seconds. The motor will enter overheating protection status and stop working for every continuous 4 minutes operation, user would need to wait for a while until the motor cool down before operating again.
- > There is no lube needed for the motor. Please be noticed that the appropriate setting is optimized which requires no further adjustment, please consult the after sales team before adjusting the limits.



## Warnings

- The ceiling or wall used for fixture installation must be secure to prevent the screens from falling.
- While installing electrical motors, please hire professionals or your local dealer to ensure safety. A misconnection may lead to fire or leaks.
- Keep all infrared wireless products away from fluorescent lighting as it may cause malfunctions.
- Please read the following as any damage to the screen surface will affect the quality of the picture:
  1. Avoid contact or touching the screen surface as it may cause scratches or tears.
  2. Do not write or draw on the surface
  3. Clean the screen with a soft cloth and luke warm water. Do not use any detergent or cleaning products.
- Roll up the screen after every use. Ensure that the screen is level when installing; do not pull on the sides or fold the screen.
- To prevent unnecessary damage, the operating and maintenance of the screen should be done by adults.



Ignoring the safety warnings may lead to injuries and/or damaging the product.



Fixtures should be installed in a secure place to avoid accidents or the screen falling.



Do not connect any electrical attachments or remote controls.



Roll up the screen after every use. Leaving it hanging for a long period of time may cause the fabric to loosen.



Please contact your local dealer for repairs or maintenance. Please contact our company if you have any further questions. Avoid taking apart the fixtures yourself. Loose parts may cause the screen to fall.



Refrain from hanging anything on the screen as it may cause the screen to fall.

Do not take apart and replace with unknown parts. If there are any problems, please contact your local dealer. Product specifications are subject to change.